



Cables for ASI57xx/ASI67xx

January 15, 2016



The ASI56/6600 have these cable/BOB options

Analog

CBL1044
4 stereo/8 XLR In/Out



CBL1004

NEW

BOB1038



CBL4005

NEW

BOB1024/25



CBL1006

CBL1144
4 AES/EBU stereo/ 4 XLR In/Out



CBL1101

NEW

BOB1038



NEW

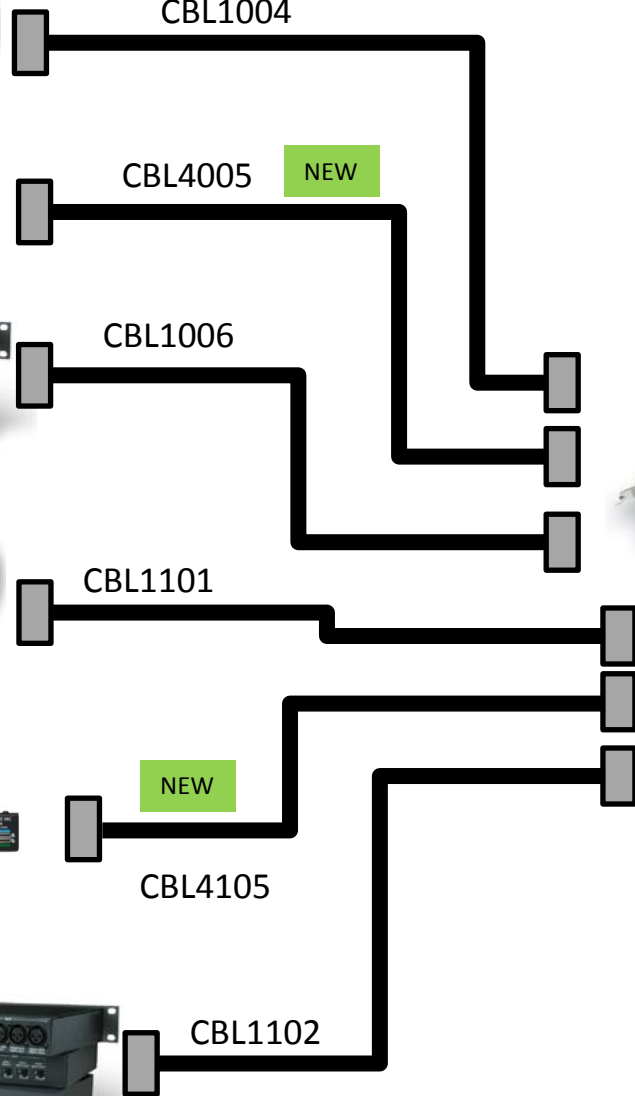
CBL4105

AES/EBU

BOB1024/25



CBL1102

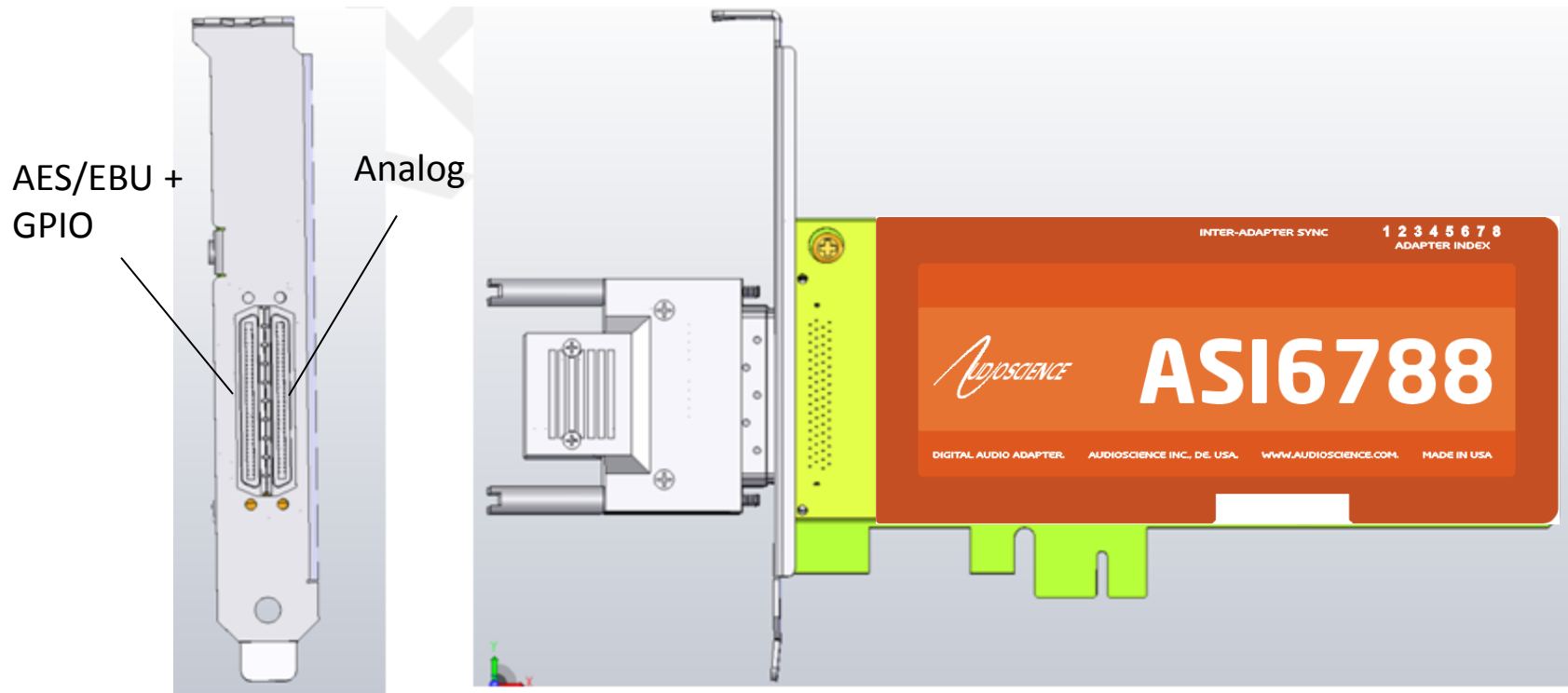




The ASI5700/6700 series has new connectors

Connectors are 68pin VHDCI (as used in SCSI-3)

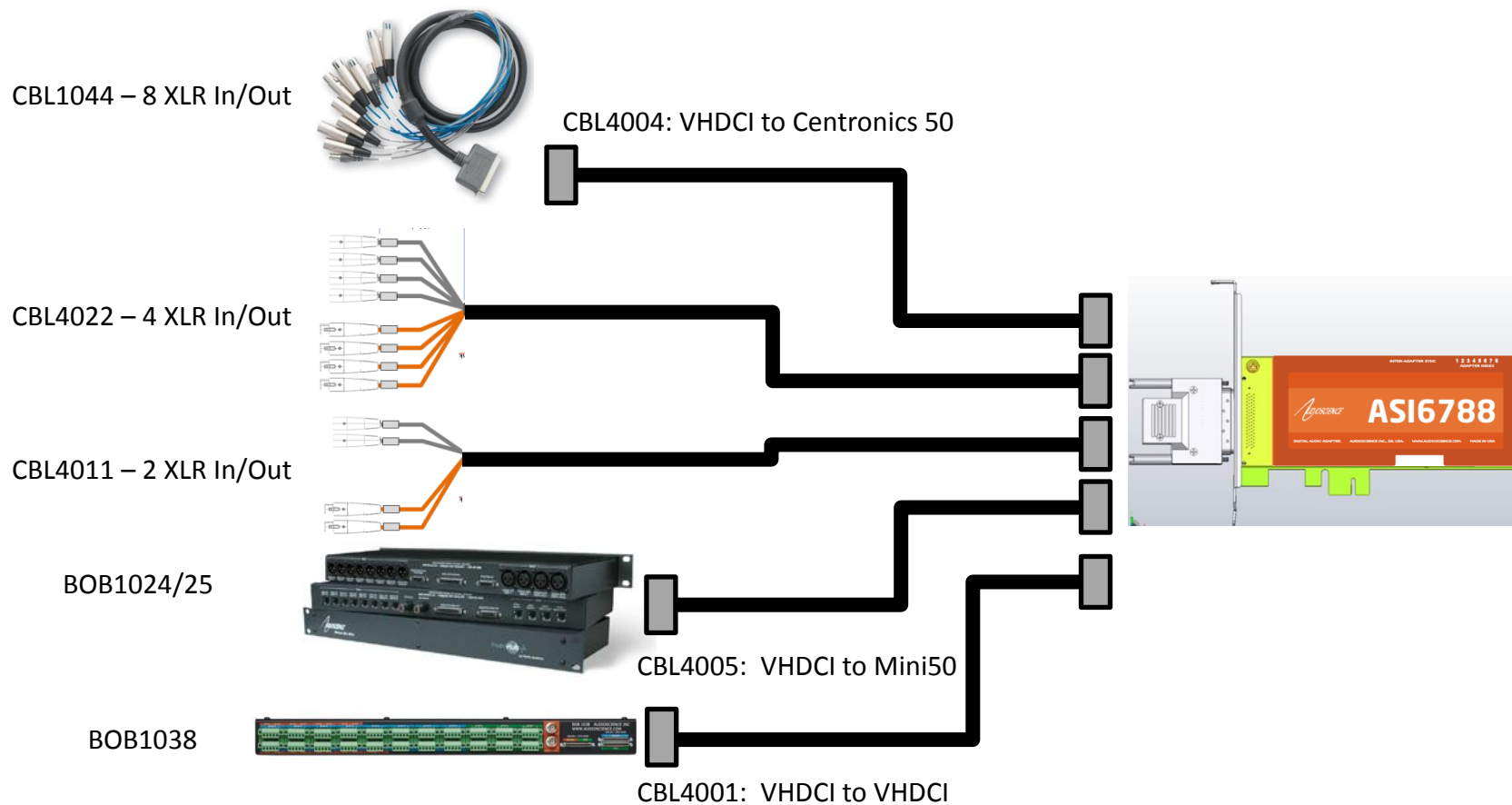
- Analog connector has up to 8 stereo in and out
- AES/EBU + GPIO connector has up to 8 stereo in/out + 8 GPIIn and 8 GPout





ASI57/6700 cable/BOB options - Analog

- CBL4004/4005 enable the same connectivity as CBL1004/1006
- CBL4005 can also be used to connect BOB1038 to ASI65/6600 cards





ASI57/6700 cable/BOB options – AES/EBU+GPIO

- CBL4104/4105 enable the same connectivity as CBL1101/1102
- CBL4104 has a 2nd Centronics 50 connector on it for GPIO. GPIO Pinout is compatible with the ASI1301 GPIO breakout for the ASI4336
- CBL4105 can also be used to connect BOB1038 to ASI65/6600 cards

CBL1144 – 4 XLR In/Out



NEW: GPIO

CBL4104:
VHDCI to Centronics 50 x 2



BOB1024/25

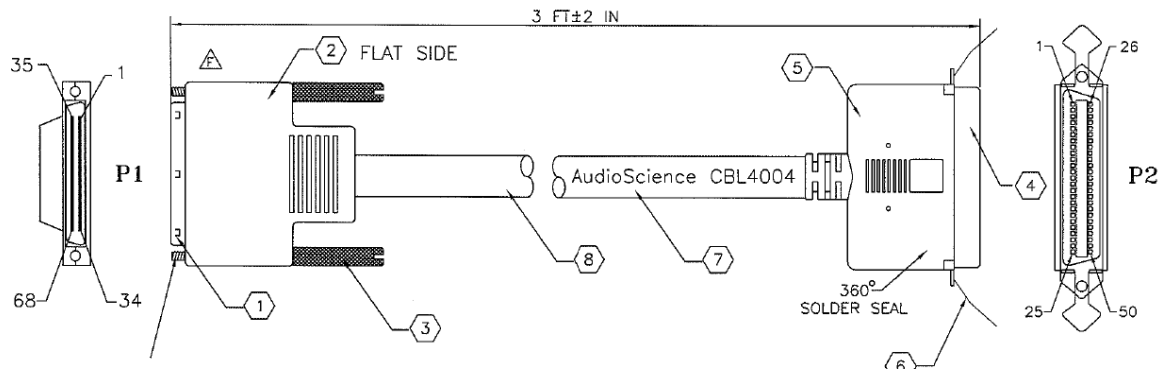
CBL4105: VHDCI to Mini26 (NOTE: Can also be used to connect BOB1038 to ASI65/6600 cards)





CBL4004 - Analog Adapter

- Replaces CBL1004 used with ASI65xx/66xx
- Used to connect CBL1044 XLR cables





CBL4104 – AES/EBU Adapter

- Replaces CBL1101 used with ASI65xx/66xx
- Used to connect CBL1144 XLR cables
- Also has GPIO with same pin out used on ASI1301 (GPIO cable for ASI4336)

