

### DESCRIPTION

The ASI6416 is a professional PCI audio adapter designed for use in the broadcast and entertainment markets.

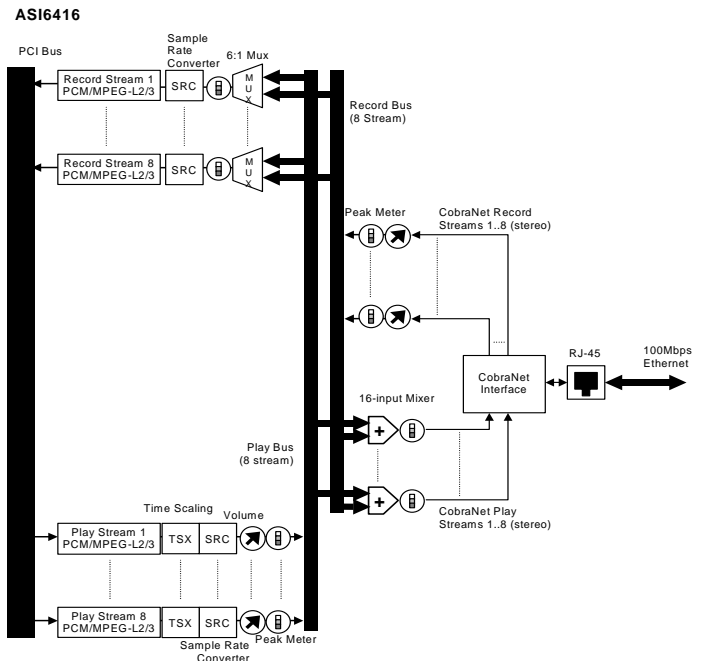
Using Cirrus Logic's CobraNet technology for streaming audio over Ethernet, the ASI6416 provides 8 stereo inputs and outputs. It can be connected to any CobraNet compliant device.

The ASI6416 is based on the TMS320C6713 VLIW floating point DSP connected to a high speed bus-master PCI interface.

AudioScience MRX technology allows up to 16 streams of different formats and sample rates to be played, recorded and mixed over CobraNet. A choice of 16bit PCM, MP3 or MPEG layer 2 compression is available on all streams.

### FEATURES

- 8 stereo 24bit CobraNet inputs and outputs on 100Mbit Ethernet operating at 48kHz or 96kHz.
- 8 stereo streams of MP3, MPEG Layer2 or PCM playback
- 8 stereo streams of MP3, MPEG Layer2 or PCM record.
- MRX™ technology supports recording, playing and mixing of multiple stream formats and sample rates.
- TSX™ time scaling allows compression/expansion of play streams by up to +/-20% with no pitch shift.
- Low Profile PCI card allows use in 2U high rackmount computers.
- Up to 4 cards in one system.
- Windows 2000/XP and Linux software drivers available.



## SPECIFICATIONS

### COBRANET INPUT/OUTPUT

Type	100BaseT Ethernet
Connector	RJ-45
Precision	16, 20 or 24bit PCM
Sample Rate	48 or 96kHz (when operating at 96kHz the number of channels is reduced from 16 to 8)
Control Protocol	SNMP

### SIGNAL PROCESSING

DSP	Texas Instruments TMS320C6713@300MHz
Memory	8MB
Audio Formats	8 bit unsigned PCM 16 bit signed PCM 32 bit floating point PCM MPEG-1 Layer 2 MPEG-1 Layer 3(MP3) (MPEG Layer-3 audio coding technology licensed from Fraunhofer IIS and THOMSON multimedia) DolbyAC2 (play only)

### GENERAL

Bus	Universal 32bit PCI (3.3V or 5V signaling)
Dimensions	PCI form factor – 5.25" x 3.25" x 0.5" (133mm x 82mm x 13mm)
Weight	8 oz (227g) max
Operating Temperature	0C to 70C
Power Requirements	+3V@1.5A, +5V @ 100mA