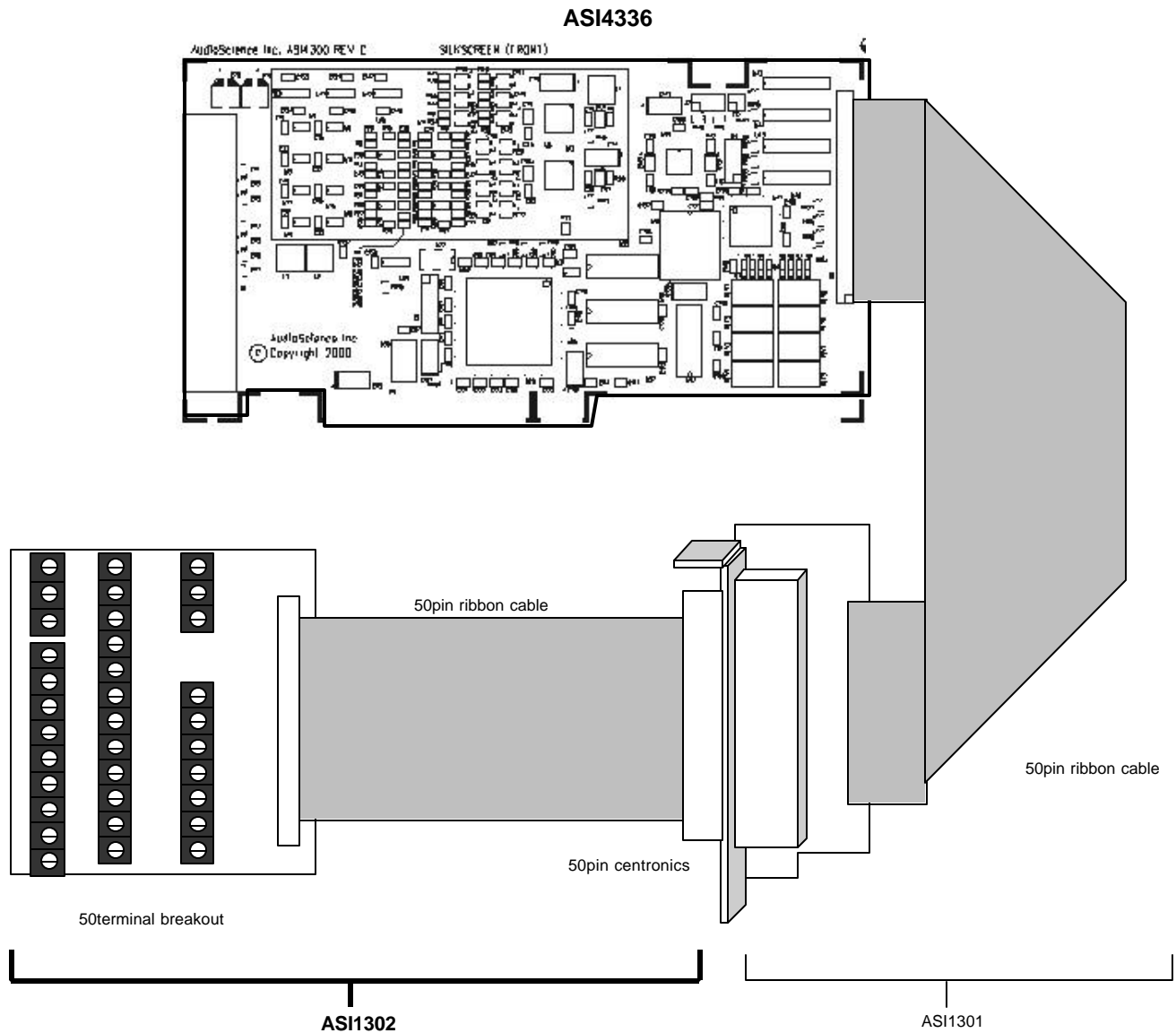


# ASI1302

RevE MAY-2002

## 1. Introduction

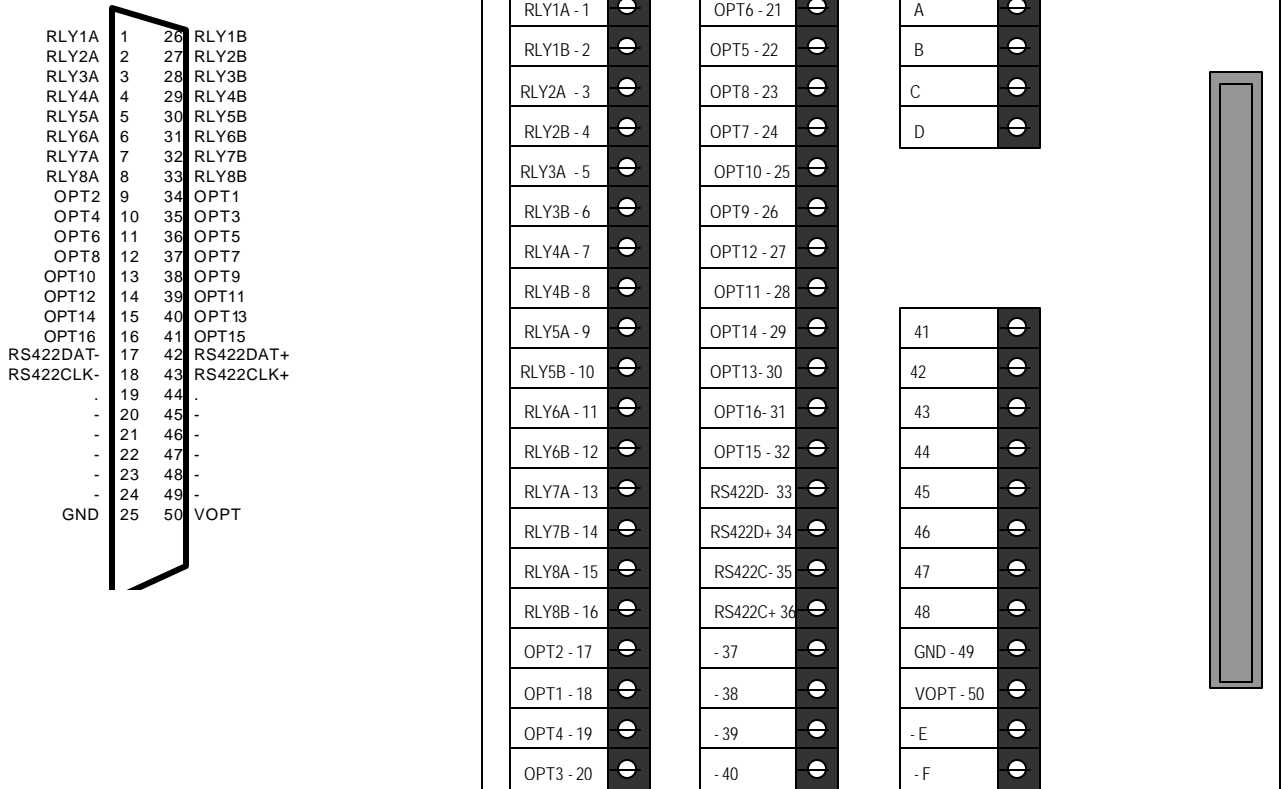


The ASI1302 is a GPIO Breakout board for the ASI4336. It is intended to be used in conjunction with a ASI4336+ASI1301. It brings the signals from the 50pin centronics connector of the ASI1301 out to a 50 terminal breakout.

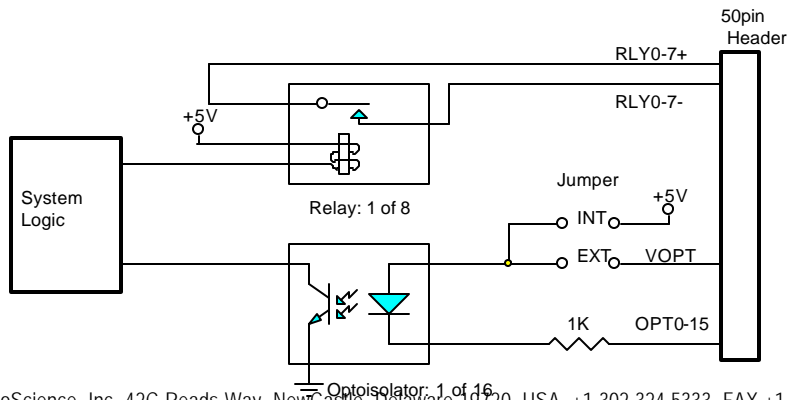
## 2. Pinouts

The Pinouts of the 50pin Centronics and 50 terminal breakout board are as follows:

50pin Centronics GPIO connector



## 3. Setting Jumpers on the ASI4336/ASI4346



Jumpers on the ASI4336/4346 are used to determine whether the optoisolators use power from the card or from an external supply.

[end]