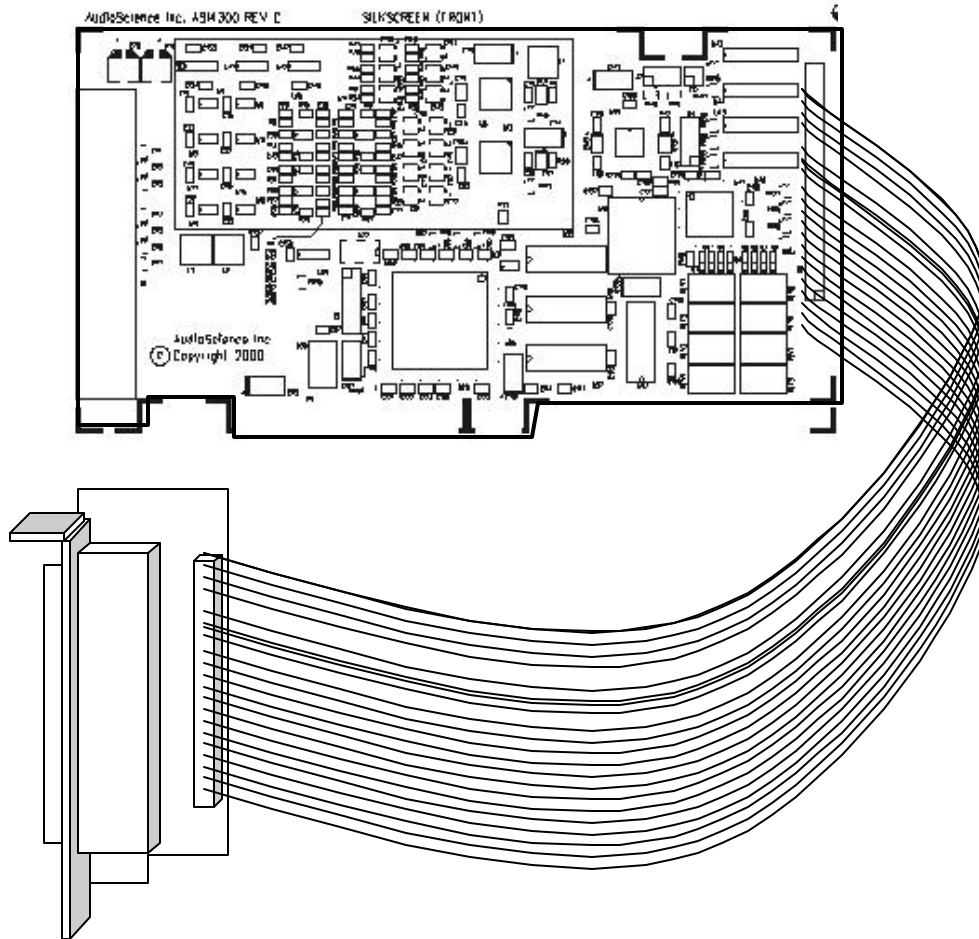


ASI1301

REVG – MAY2002

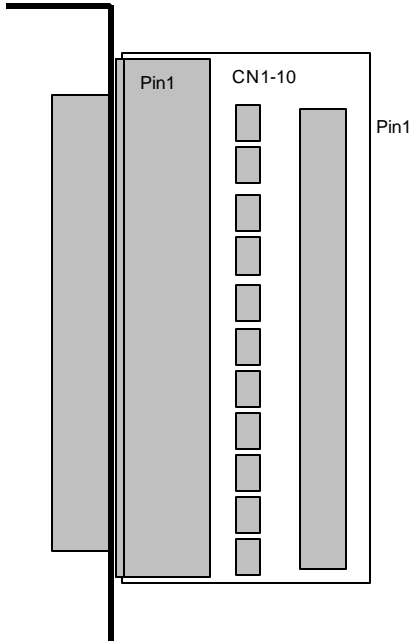
1. Introduction



The ASI1300 is a GPIO Daughterboard for the ASI4336. It brings the signals from the 50pin header over to a 50pin centronics connector mounted on a PC bracket/daughterboard. EMI suppression components are also mounted on the daughterboard.

The length of the cable is 14".

2. PCB Layout



3. 50pin Centronics Pinout

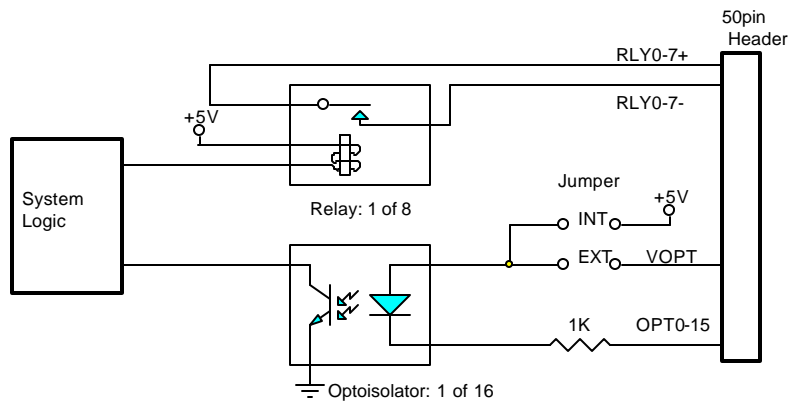
Relay, Optoisolator and RS422
I/O : 50pin 0.1" Header

RLY0+	1	2	RLY0-
RLY1+	3	4	RLY1-
RLY2+	5	6	RLY2-
RLY3+	7	8	RLY3-
RLY4+	9	10	RLY4-
RLY5+	11	12	RLY5-
RLY6+	13	14	RLY6-
RLY7+	15	16	RLY7-
OPT0	17	18	OPT1
OPT2	19	20	OPT3
OPT4	21	22	OPT5
OPT6	23	24	OPT7
OPT8	25	26	OPT9
OPT10	27	28	OPT11
OPT12	29	30	OPT13
OPT14	31	32	OPT15
RS422DAT+	33	34	RS422DAT-
RS422CLK+	35	36	RS422CLK-
-	37	38	-
-	39	40	-
-	41	42	-
-	43	44	-
-	45	46	-
-	47	48	-
GND	49	50	VOPT

50pin Centronics GPIO connector

RLY1A	1	26	RLY1B
RLY2A	2	27	RLY2B
RLY3A	3	28	RLY3B
RLY4A	4	29	RLY4B
RLY5A	5	30	RLY5B
RLY6A	6	31	RLY6B
RLY7A	7	32	RLY7B
RLY8A	8	33	RLY8B
OPT2	9	34	OPT1
OPT4	10	35	OPT3
OPT6	11	36	OPT5
OPT8	12	37	OPT7
OPT10	13	38	OPT9
OPT12	14	39	OPT11
OPT14	15	40	OPT13
OPT16	16	41	OPT15
RS422DAT-	17	42	RS422DAT+
RS422CLK-	18	43	RS422CLK+
.	19	44	.
-	20	45	-
-	21	46	-
-	22	47	-
-	23	48	-
-	24	49	-
GND	25	50	VOPT

3. Setting Opto Power Supply Jumpers.



Jumpers on the ASI4336/4346 are used to determine whether the optoisolators use power from the card or from an external supply.

[end]